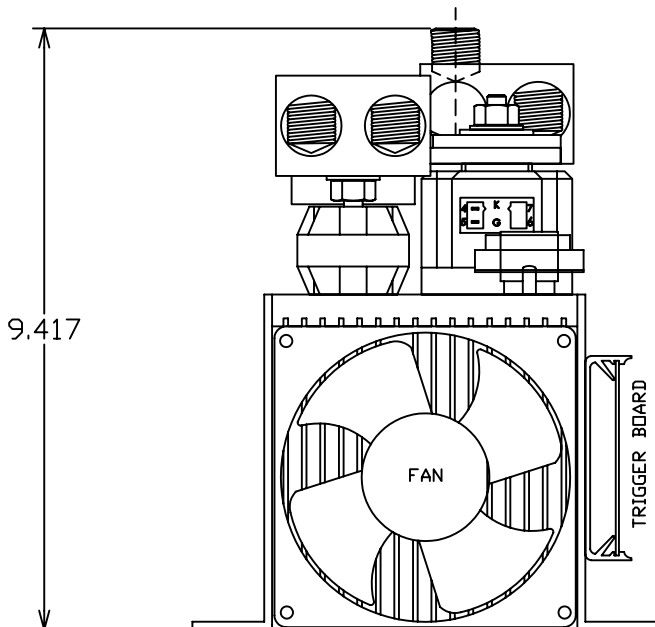
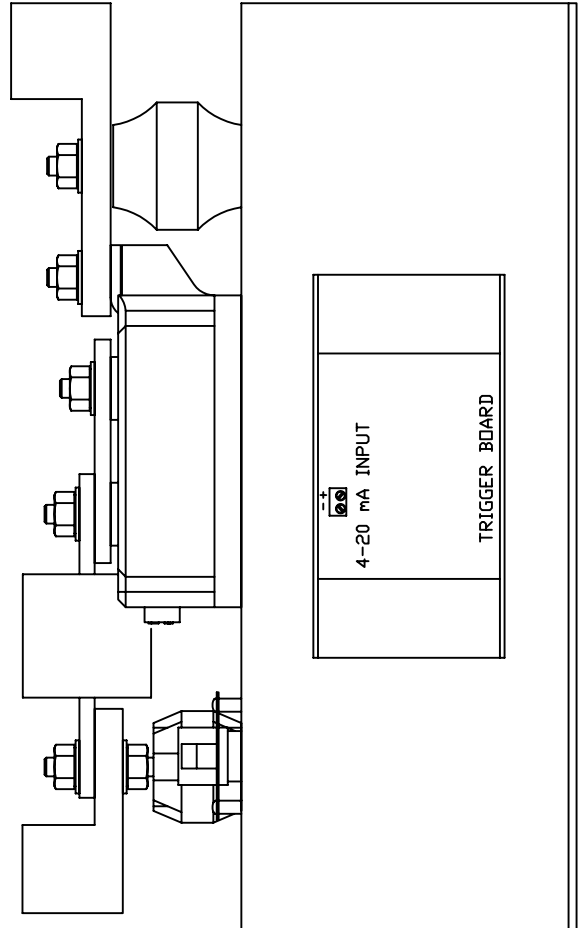
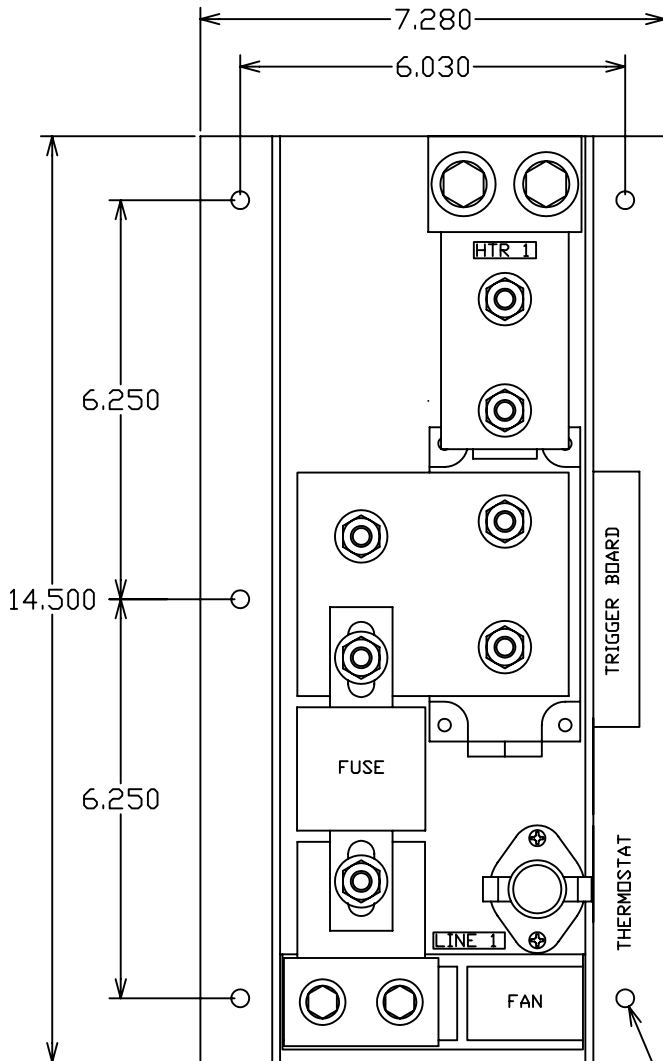


# PHYSICAL DIMENSIONS

## A1Z - 600 AMP



(6) MOUNTING HOLE DIAMETER 0.275"