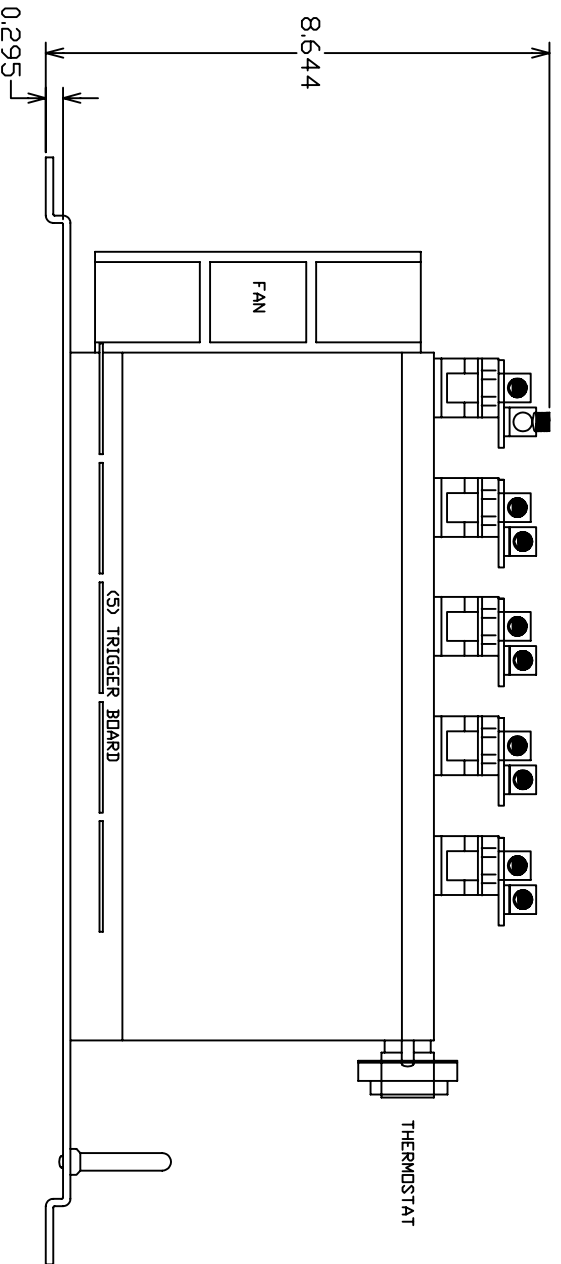
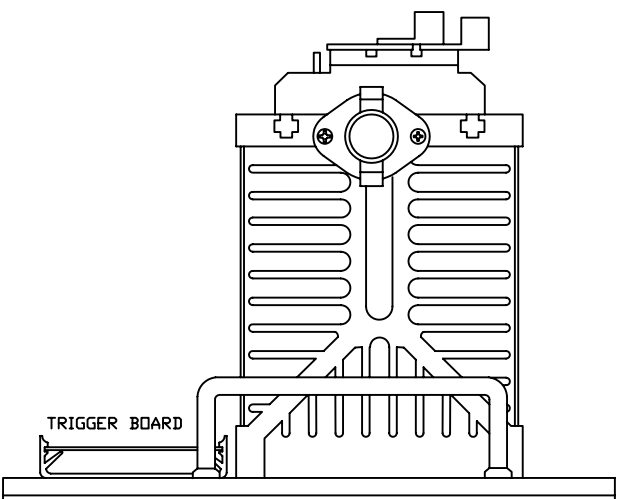
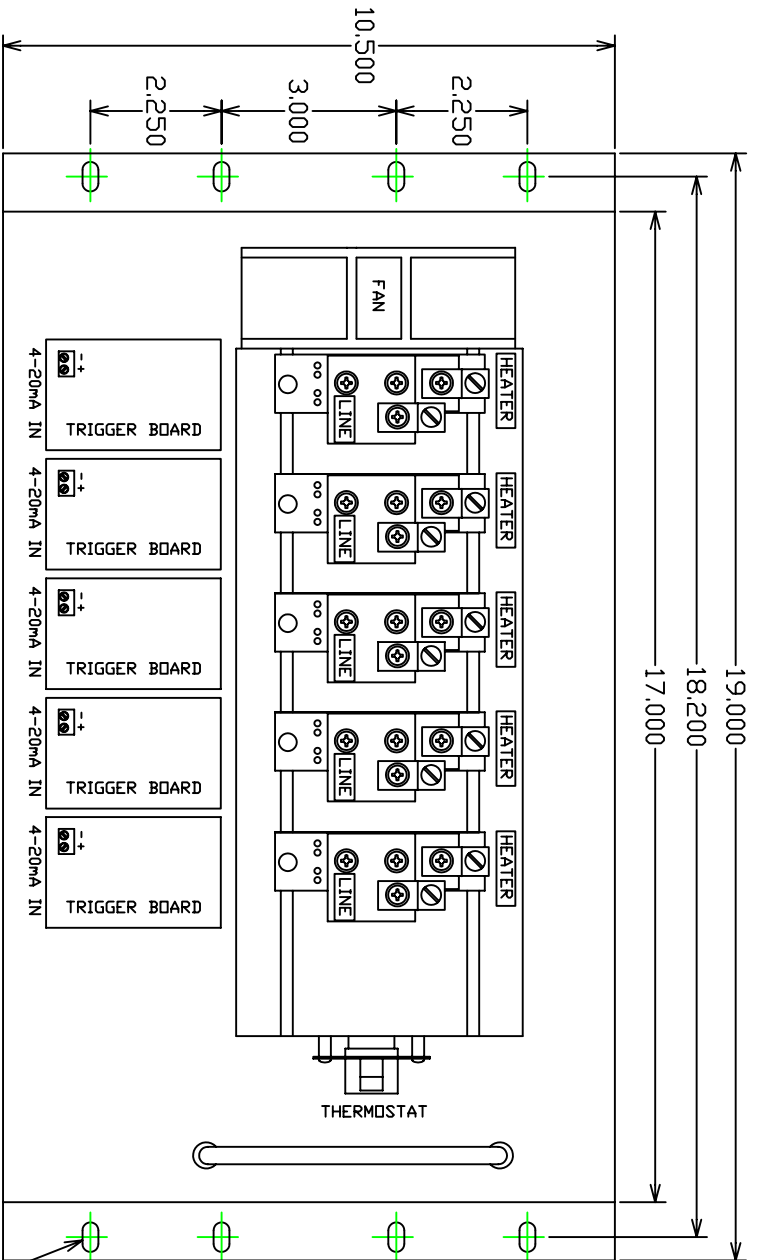


PHYSICAL DIMENSIONS

SCP - 40, 50, 70 & 100 AMP



(8) MOUNTING HOLE DIAMETER 0.275"