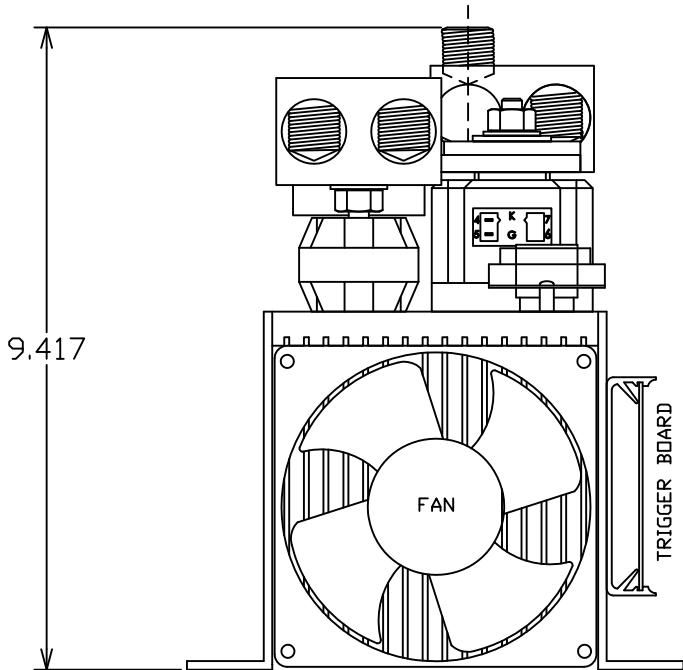
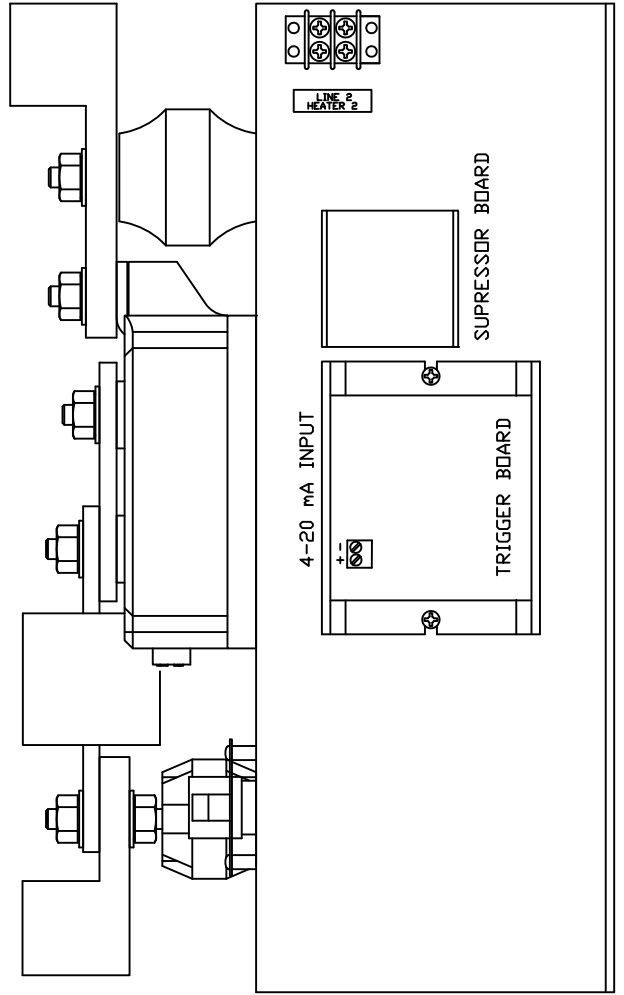
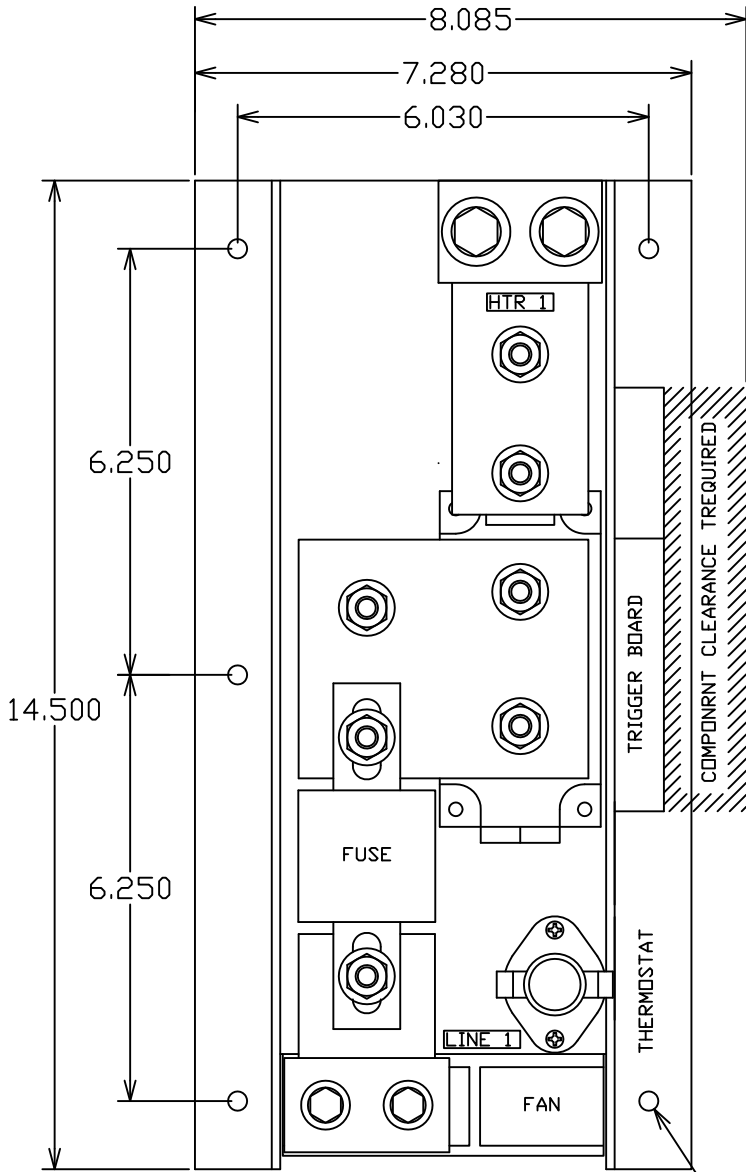


# PHYSICAL DIMENSIONS

## A1P - 600 AMP



(6) MOUNTING HOLE DIAMETER 0.275"